

10.00mm(.400") Wire To Wire And Wire To Board Connector



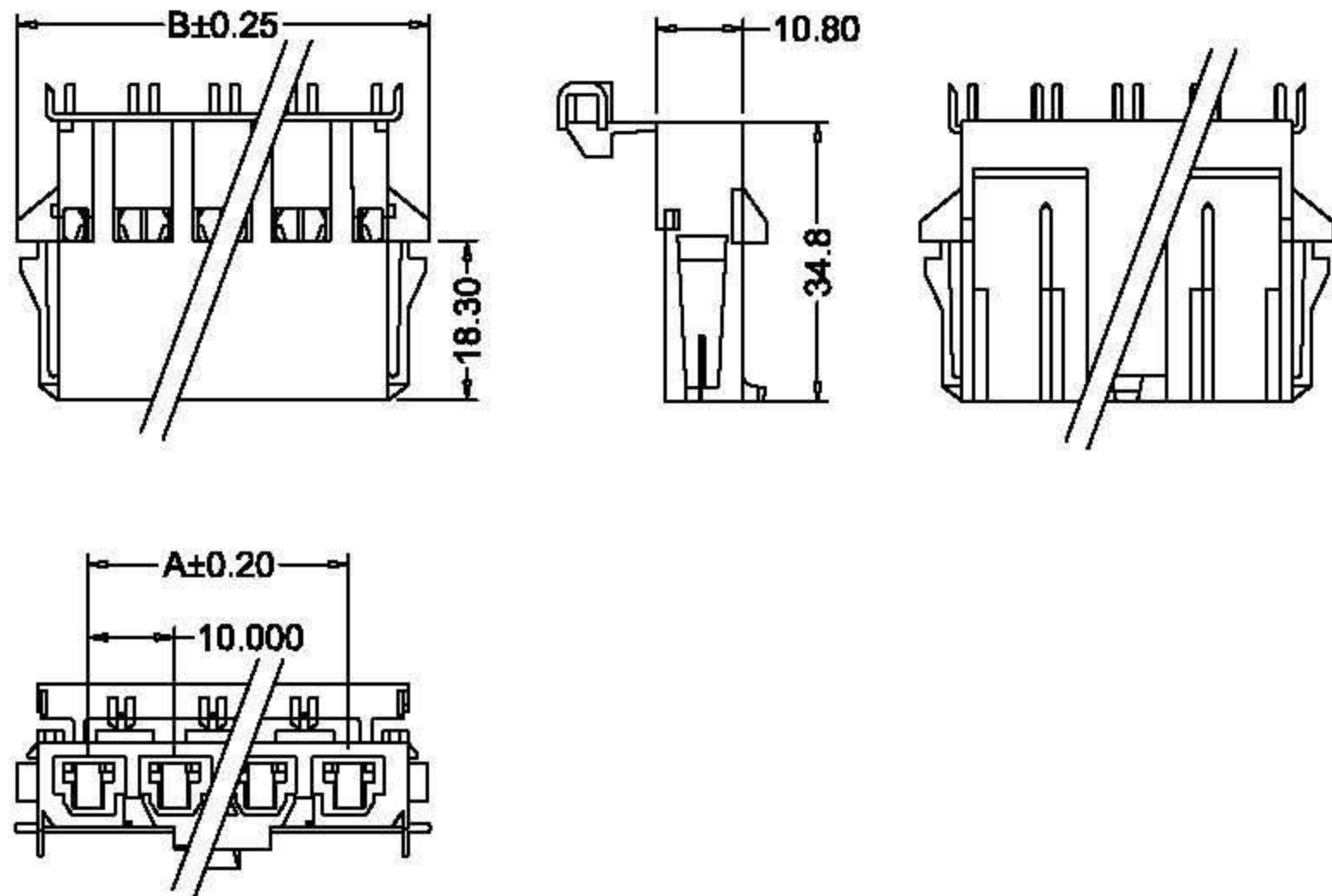
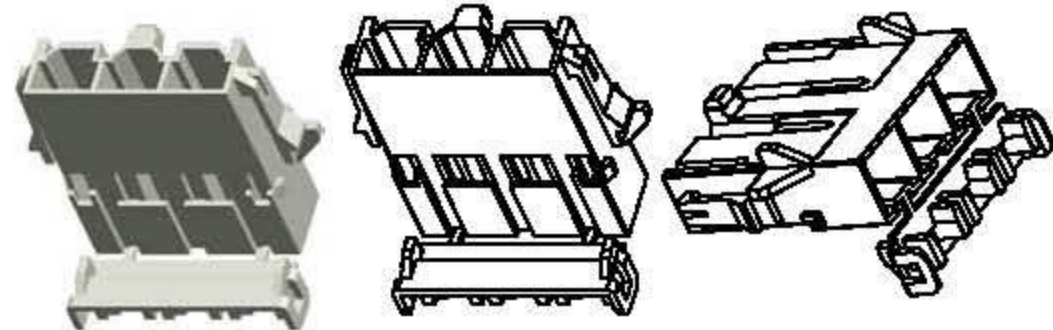
Connector & Terminal

Shenzhen Hongru Connector Co., Ltd

Email: yukyli@hrb-connector.com
 Tel: 86-0755 2709 6669
 Fax: 86-0755 2709 2392
 Skype: haiyuncheng-vivian
 Mobile(whatsapp): 86-186 8112 3590
 Website: <http://www.hrb-connector.com>

SPECIFICATIONS:

- Current Rating: W to W :50AAC,DC
 W to PCB :48A AC,DC
- Voltage Rating:600V AC,DC
- Operating Temperature:-40°C~+130°C
- Contact Resistance:20mΩ max.
- Insulation Resistance:1000MΩ Min.
- Withstanding Voltage:1000V AC/minute
- Material: NylonUL94V-0
- Use With:T9920Series
- Wire Size:AWG#8~#16
- File No:E304945
- GWT:750°C IEC-60335-1



Ordering Information And Dimensions

Part NO.		Dimensions	
TYP UL94V-0	Circuits	Dim:A	Dim:B
P9920-2-B-H-A/B	2	10.00	31.30
P9920-3-B-H-A/B	3	20.00	41.30
P9920-4-B-H-A/B	4	30.00	51.30
P9920-5-B-H-A/B	5	40.00	61.30
P9920-6-B-H-A/B	6	50.00	71.30

